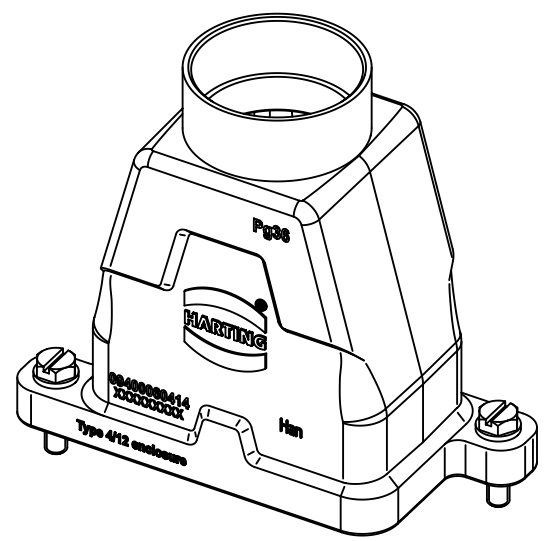
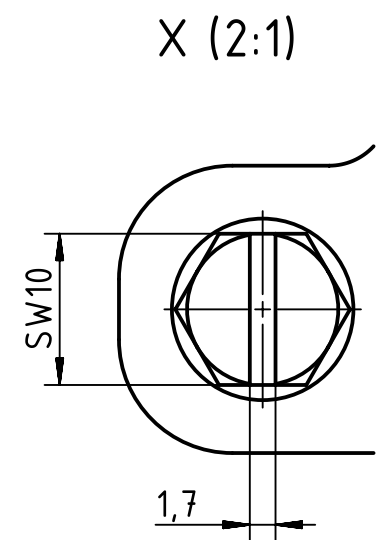
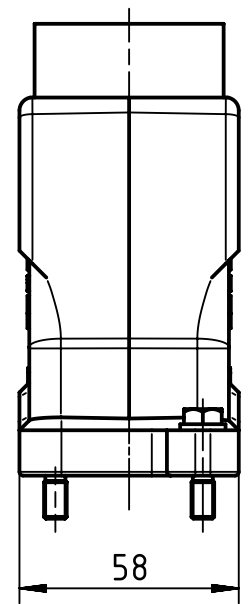
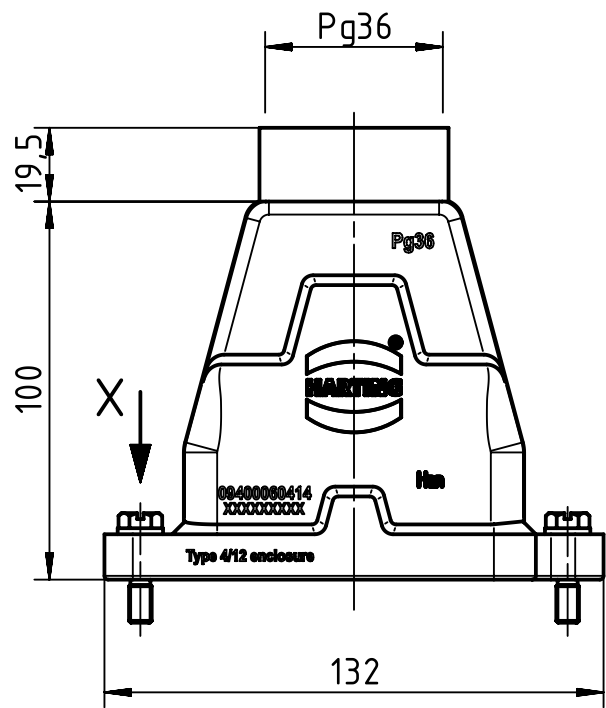


A

B

C

D



for Han HC-Modular 650A/4kV

	All Dimensions in mm Original Size DIN A4		Scale 1:2	Free size tol.		Ref.
			Created by RULLKOETTER	Inspected by SCHNIEDER	Standardisation TIEMANNA	Date 2017-02-24
All rights reserved Department EL PD - DE		Title Han 6HPR Hood Top PG36-SL/HC-Mod 650A4kV		State Final Release		Doc-Key / ECM-Nr. 100208603/UGD/004/C 500000116154
HARTING Electric GmbH & Co. KG D-32339 Espelkamp		Type TB	Number 09 40 006 0414		Rev. C	Page 1/1